



**Electrolux**  
PROFESSIONAL

**Handling System for Rack Type  
Manual Sorting Table, 5 Baskets -  
Right to Left, 2640mm - Front Loading**

ITEM # \_\_\_\_\_

MODEL # \_\_\_\_\_

NAME # \_\_\_\_\_

SIS # \_\_\_\_\_

AIA # \_\_\_\_\_



865296 (HSMSF5RL)

Manual sorting table, 5 baskets, front connection, Right>Left, 2640 mm

**Short Form Specification**

Item No. \_\_\_\_\_

Constructed in 304 AISI stainless steel. Basin with sloping bottom, drain with double strainer baskets. Long plastic rollers. Rack-guides inclined towards the sorting side. Square 40x40mm square legs with height-adjustable feet. Designed for 500x500mm dishwashing baskets. Attachment to Rack Type dishwasher or other tables on the left front side. Basket feed direction: from right to left.

**Main Features**

- Manual sorting table with front loading can be connected either to a rack type dishwasher or after the roller conveyor, a 90° dishwasher driven curve and a side loader on the loading side.
- Designed to transport 500x500 mm dishwashing baskets.
- "Key holes" and "snap on" system reduces the number of screws needed for fast and easy installation.
- Long rollers and strainer box easy to remove.
- Manual racks handling toward the dishwasher made easier thanks to the long rollers.

**Construction**

- All surfaces smooth with polished finish.
- Constructed in AISI 304 stainless steel with square 40x40mm legs.
- Thick welded flanges for sturdy connection between the units.
- Sloping bottom of the table grants a smooth and rapid drainage.
- Stainless steel strainer baskets easy to remove.
- Manual receiving and sorting operations.
- Connection from front.
- Optionally equipped with tray slides, a single adjustable over-shelf for empty baskets, a double adjustable over-shelf for sorting of baskets and empty baskets, spray guns, cutlery soaking basin and basin wash nozzles.
- Stainless steel feet 50 mm adjustable in height to align the operation height between the dishwasher and table.

**Optional Accessories**

- Pre-rinse unit (thermostatic mixer and shower) to be mounted on overshell PNC 863136
- Emergency stop kit for Rack Type Dishwasher (not for Basic handling system) PNC 865162
- Basket support for vertical stacking of baskets (to be used with overshell) PNC 865208
- Pre-rinse unit (mixer and shower) PNC 865209
- Double overshell for 5-basket sorting table, 2630 mm PNC 865427
- Overshell for 5-basket sorting table, 2630 mm PNC 865431
- Tray slide for 5-basket sorting table, 2640 mm PNC 865435
- Tray slide fixing brackets (3pcs) PNC 865437
- Grid undershell for 5-basket sorting table PNC 865440
- Soaking basin with lifting device for cutlery rack PNC 865442
- Pre-wash spray unit, 1500 mm PNC 865443
- Tray slide for sorting table, 500 mm PNC 865444

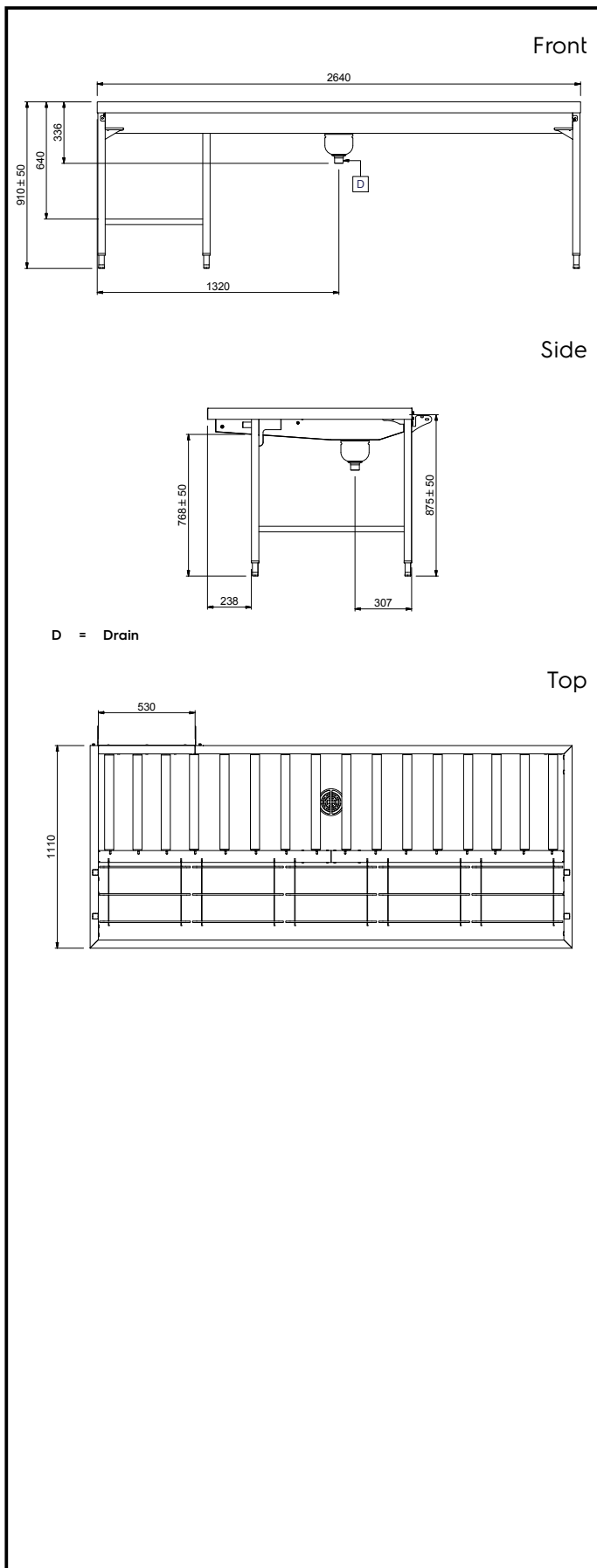
APPROVAL: \_\_\_\_\_



Experience the Excellence  
www.electroluxprofessional.com



- Tray slide with waste hole and rubber ring, 500 mm PNC 865445
- Dish scraper PNC 865447
- Water heating kit for wash basin PNC 865449
- Foldable tray slide for 5-basket sorting table, 2640 mm PNC 865456
- Retractable pre-rinse unit with fixed thermostatic water mixer, hose length, 14mm PNC 865460
- Brackets to support baskets under the sorting table PNC 865478



### Key Information:

<b>External dimensions, Width:</b>	<b>865296 (HSMSF5RL)</b>	2640 mm
<b>External dimensions, Depth:</b>		1110 mm
<b>External dimensions, Height:</b>		910 mm
<b>Net weight:</b>		64 kg
<b>Height adjustment:</b>		50/50 mm
<b>Basket movement:</b>		Right to left
<b>Basin material:</b>		Stainless Steel AISI 304 - EN 1.4301
<b>Type of rollers:</b>		Long